

SONG

Designed by
Koray Malhan



VALUE PROPOSAL



Introducing the Song Cabinet Group: a versatile storage solution with two door heights and lockers for diverse cabinet needs. The Song Pedestal complements management requirements with its integrated stationery and filing units. Elevate your workspace with this stylish and functional collection.

SONG

Designed by **Koray Malhan**

PRODUCTION TIME



6-8 weeks + Shipping

ASSEMBLY NOTES



The product is delivered assembled.

WARRANTY



The warranty period shall be two years as of the date of delivery of the product.

Any malfunction that arises out of such use of the product that is in breach of the requirements and specifications set forth within the relevant user's manual shall be excluded from the warranty scope.

Warranty does not apply to customer's own fabric, leather, or other materials.

CLEANING & MAINTENANCE



Clean with a damp cloth with no chemical agents.

The maintenance and cleaning instructions for fabric, wood, marble, glass, metal and plastic used in our products are available in the cleaning and maintenance manual.



COLORS & MATERIALS



Top & Side Surfaces: Powder coated bent sheet metal

Drawer Fronts & Storage Doors: Veneered or laminated MDF

Drawer Organizer: Black plastic

Laminate



3101
WHITE



3153
LIGHT GREY



3241
GREY



4598
REAL OAK



4599
DARK OAK



VT925



VT053

Wood Veneer & Finish



10371
WHITE OAK
Natural Finish



10766
SMOKE OAK
Natural Finish

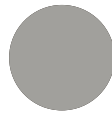


13991
GREY OAK
Natural Finish

Metal Finish



RAL7021
ANTHRACITE



SATIN

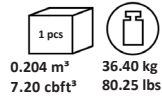


3101
WHITE

TPOLOGY



SONG S1 PEDESTAL SERIES



SONG PEDESTAL S1

Overall Width: 428 mm / 16.9"

Overall Depth: 460 mm / 18.1"

Overall Height: 603 mm / 23.7"

Product Description:

The drawer fronts and pedestal backings come in laminated or veneered MDF surfaces. Both options come with laminated pedestal bottom surfaces. The top drawer features a lock, and all drawers feature an inner powder coated metal structure and aluminum profile pulls seated on the top side of the drawer with a generous grip surface channel. The product includes two keys for the storage lock.

The side and top surfaces feature one continuous sheet of bent and powder coated metal.

A recycled black plastic drawer organizer is included in this product. There's an anti-tipping mechanism for safety, and more than one drawer does not open at the same time.

Plastic casters included in this product are compatible with soft flooring. For hard floor casters, please specify separately.

TYOLOGY



SONG S3 STORAGE SERIES WITHOUT PLANTER

Product Description:

These units come in laminated or veneered MDF storage doors and back. Both options feature two laminated interior shelves. The right storage door features a lock, and both doors feature aluminum profile pulls seated on the top side of the door with a generous grip surface channel. The product includes two keys for the storage lock.

The Right Side and the Left Side Unit feature a single piece, powder coated metal sheet on the surface that will be exposed when placed side by side. The intersecting parts feature a melamine structure.

The Middle Unit features a powder coated metal top surface and a melamine structure on both intersecting sides.

The Single Unit has all sides covered in powder coated metal sheet since it is designed to function on its own.

All models feature black plastic glides.



SONG S3 RH1 - Right Side Unit
Overall Width: 800 mm / 31.5"
Overall Depth: 460 mm / 18.1"
Overall Height: 800 mm / 31.5"

This unit is for the right end side of product configurations.



SONG S3 LH1 - Left Side Unit
Overall Width: 800 mm / 31.5"
Overall Depth: 460 mm / 18.1"
Overall Height: 800 mm / 31.5"

This unit is for the left end side of product configurations.



SONG S3 MH1 - Middle Unit
Overall Width: 800 mm / 31.5"
Overall Depth: 460 mm / 18.1"
Overall Height: 800 mm / 31.5"

This unit is designed to be placed between other units.



SONG S3 SH1 - Single Unit
Overall Width: 800 mm / 31.5"
Overall Depth: 460 mm / 18.1"
Overall Height: 800 mm / 31.5"

This unit is designed to stand and function on its own.

*The second images feature a picture of the product without doors in order to illustrate the inner structure.

TPOLOGY



SONG S3 STORAGE SERIES WITHOUT PLANTER

Product Description:

These units come in laminated or veneered MDF storage doors and back. Both options feature two laminated interior shelves. The right storage door features a lock, and both doors feature aluminum profile pulls seated on the top side of the door with a generous grip surface channel. The product includes two keys for the storage lock.

The Right Side and the Left Side Unit feature a single piece, powder coated metal sheet on the surface that will be exposed when placed side by side. The intersecting parts feature a melamine structure.

The Middle Unit features a powder coated metal top surface and a melamine structure on both intersecting sides.

The Single Unit has all sides covered in powder coated metal sheet since it is designed to function on its own.

All models feature black plastic glides.



SONG S3 RH2 - Right Side Unit
Overall Width: 800 mm / 31.5"
Overall Depth: 460 mm / 18.1"
Overall Height: 1100 mm / 43.3"

This unit is for the right end side of product configurations.



SONG S3 LH2 - Left Side Unit
Overall Width: 800 mm / 31.5"
Overall Depth: 460 mm / 18.1"
Overall Height: 1100 mm / 31.5"

This unit is for the left end side of product configurations.



SONG S3 MH2 - Middle Unit
Overall Width: 800 mm / 31.5"
Overall Depth: 460 mm / 18.1"
Overall Height: 1100 mm / 43.3"

This unit is designed to be placed between other units.



SONG S3 SH2 - Single Unit
Overall Width: 800 mm / 31.5"
Overall Depth: 460 mm / 18.1"
Overall Height: 1100 mm / 43.3"

This unit is designed to stand and function on its own.

*The second images feature a picture of the product without doors in order to illustrate the inner structure.

TPOLOGY



SONG S3 STORAGE SERIES WITH OPEN TOP SHELF

Product Description:

These units come in laminated or veneered MDF storage doors and back. Both options feature two laminated interior shelves. The right storage door features a lock, and both doors feature aluminum profile pulls seated on the top side of the door with a generous grip surface channel. The product includes two keys for the storage lock.

The Right Side and the Left Side Unit feature a single piece, powder coated metal sheet on the surface that will be exposed when placed side by side. The intersecting parts feature a melamine structure.

The Middle Unit features a powder coated metal top surface and a melamine structure on both intersecting sides.

The Single Unit has all sides covered in powder coated metal sheet since it is designed to function on its own.

All models feature black plastic glides.



SONG S3 RH2_Y - Right Side Unit
Overall Width: 800 mm / 31.5"
Overall Depth: 460 mm / 18.1"
Overall Height: 1100 mm / 43.3"

This unit is for the right end side of product configurations.



SONG S3 LH2_Y - Left Side Unit
Overall Width: 800 mm / 31.5"
Overall Depth: 460 mm / 18.1"
Overall Height: 1100 mm / 43.3"

This unit is for the left end side of product configurations.



SONG S3 MH2_Y - Middle Unit
Overall Width: 800 mm / 31.5"
Overall Depth: 460 mm / 18.1"
Overall Height: 1100 mm / 43.3"

This unit is designed to be placed between other units.



SONG S3 SH2_Y - Single Unit
Overall Width: 800 mm / 31.5"
Overall Depth: 460 mm / 18.1"
Overall Height: 1100 mm / 43.3"

This unit is designed to stand and function on its own.

*The second images feature a picture of the product without doors in order to illustrate the inner structure.

TPOLOGY



SONG S3 STORAGE SERIES WITH PLANTER

Product Description:

These units come in laminated or veneered MDF storage doors and back. Both options feature two laminated interior shelves. The right storage door features a lock, and both doors feature aluminum profile pulls seated on the top side of the door with a generous grip surface channel. The product includes two keys for the storage lock.

The Right Side and the Left Side Unit feature a single piece, powder coated metal sheet on the surface that will be exposed when placed side by side. The intersecting parts feature a melamine structure.

The Middle Unit features a powder coated metal top surface and a melamine structure on both intersecting sides.

The Single Unit has all sides covered in powder coated metal sheet since it is designed to function on its own.

Cabinet tops feature powder coated metal containers. These containers are **not** designed to function as planters, but to place planters inside. Opt for plants that require minimal watering for this product.

All models feature black plastic glides.



SONG S3 RH1_C - Right Side Unit

Overall Width: 800 mm / 31.5"

Overall Depth: 460 mm / 18.1"

Overall Height: 800 mm / 31.5"

This unit is for the right end side of product configurations.

SONG S3 LH1_C - Left Side Unit

Overall Width: 800 mm / 31.5"

Overall Depth: 460 mm / 18.1"

Overall Height: 800 mm / 31.5"

This unit is for the left end side of product configurations.



SONG S3 MH1_C - Middle Unit

Overall Width: 800 mm / 31.5"

Overall Depth: 460 mm / 18.1"

Overall Height: 800 mm / 31.5"

This unit is designed to be placed between other units.

SONG S3 SH1_C - Single Unit

Overall Width: 800 mm / 31.5"

Overall Depth: 460 mm / 18.1"

Overall Height: 800 mm / 31.5"

This unit is designed to stand and function on its own.

*The second images feature a picture of the product without doors in order to illustrate the inner structure.

TPOLOGY



SONG S3 STORAGE SERIES WITH PLANTER

Product Description:

These units come in laminated or veneered MDF storage doors and back. Both options feature two laminated interior shelves. The right storage door features a lock, and both doors feature aluminum profile pulls seated on the top side of the door with a generous grip surface channel. The product includes two keys for the storage lock.

The Right Side and the Left Side Unit feature a single piece, powder coated metal sheet on the surface that will be exposed when placed side by side. The intersecting parts feature a melamine structure.

The Middle Unit features a powder coated metal top surface and a melamine structure on both intersecting sides.

The Single Unit has all sides covered in powder coated metal sheet since it is designed to function on its own.

Cabinet tops feature powder coated metal containers. These containers are **not** designed to function as planters, but to place planters inside. Opt for plants that require minimal watering for this product.

All models feature black plastic glides.



SONG S3 RH2_C - Right Side Unit

Overall Width: 800 mm / 31.5"

Overall Depth: 460 mm / 18.1"

Overall Height: 1100 mm / 43.3"

This unit is for the right end side of product configurations.

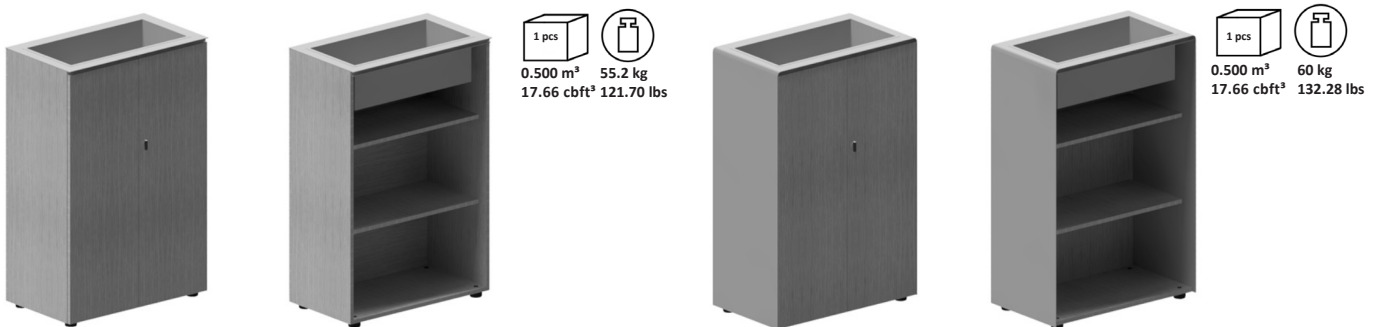
SONG S3 LH2_C - Left Side Unit

Overall Width: 800 mm / 31.5"

Overall Depth: 460 mm / 18.1"

Overall Height: 1100 mm / 43.3"

This unit is for the left end side of product configurations.



SONG S3 MH2_C - Middle Unit

Overall Width: 800 mm / 31.5"

Overall Depth: 460 mm / 18.1"

Overall Height: 1100 mm / 43.3"

This unit is designed to be placed between other units.

SONG S3 SH2_C - Single Unit

Overall Width: 800 mm / 31.5"

Overall Depth: 460 mm / 18.1"

Overall Height: 1100 mm / 43.3"

This unit is designed to stand and function on its own.

*The second images feature a picture of the product without doors in order to illustrate the inner structure.

☺ koleksiyon